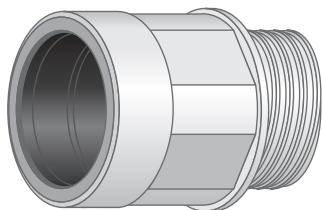


Raccordi EC Line per guaine corrugate



EC Line fittings for corrugated tubing

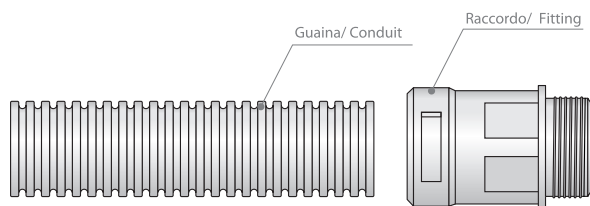
Tubing, Mechanical Protection



Impiego - Use

Raccordi realizzati con innesto conico che ne garantisce la tenuta IP66; sono dotati di un sistema di bloccaggio ad innesto rapido che facilita l'installazione, garantendone nel contempo un'ottima resistenza allo sgancio grazie alle clip di tenuta integrate. Possono essere disassemblati a mezzo di cacciavite. Hanno inoltre ottima resistenza agli olii ed ai prodotti chimici.

Fittings for plastic corrugated tubing made with a cone coupling granting IP66 sealing, they are provided with a fast-coupling locking system for an easier installation, granting, at the same time, a very good resistance to release thanks to the integrated clips. These fittings can be re-open with screwdriver. These fittings are resistant to oils and chemical products.



Dati Tecnici - Technical data

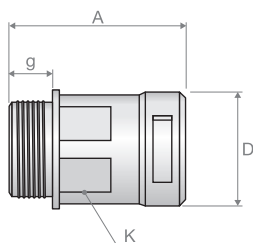
Caratteristica - Characteristics	Valore/proprietà - Value/property
Costruzione <i>Construction</i>	Raccordi costituiti da corpo unico con clips di tenuta integrate <i>Fittings made of a single body with integrated retaining clips</i>
Materiale <i>Material</i>	Poliammide 6 <i>Polyamide 6</i>
Temperatura massima di esercizio <i>Maximum working temperature</i>	+105°C con punte discontinue fino a +150°C <i>+105°C intermittent up to +150°C</i>
Temperatura minima di esercizio <i>Minimum working temperature</i>	-40°C
Grado di protezione <i>Protection class</i>	IP 66
Halogen-free	Si/Yes
Non propagante la fiamma <i>Flame retardant</i>	V2 (UL 94)
Colore <i>Color</i>	Nero, Grigio* <i>Black, Gray*</i>
Guaine compatibili <i>Compatible tubing</i>	EC Line, Base Line, Flex Line
Riferimenti normativi costruttivi <i>Standards of construction</i>	ISO 527, ISO 180/1C, UL 94, EN 61386, EN 60529

* Colore solo su specifica richiesta e per quantitativo minimo applicabile.

* Color available upon request and with minimum applicable quantities.

Codifiche e dimensioni - Coding and dimensions

Raccordo diritto maschio - Straight male fitting



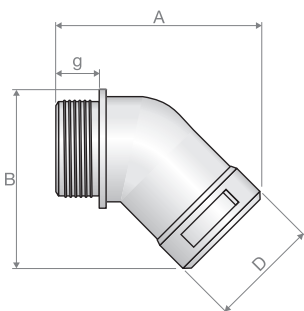
Codice <i>Code</i>	Versione <i>Version</i>	Filetto <i>Thread</i>	Dimensione guaina <i>Conduit size</i> NW	Dimensioni - <i>Dimensions</i> [mm]				Confezione <i>Packaging</i> [pz]
				g	D	A	B	
PM□LND-M120.100	ISO	M12x1,5	10	11,0	21,5	34,0	16,0	100
PM□LND-M160.100	ISO	M16x1,5	10	11,0	21,5	34,0	16,0	100
PM□LND-M200.100	ISO	M20x1,5	10	11,0	26,0	34,0	16,0	100
PM□LND-M162.100	ISO	M16x1,5	12	11,0	25,0	38,0	19,0	100
PM□LND-M202.100	ISO	M20x1,5	12	11,0	25,0	38,0	19,0	100
PM□LND-M207.100	ISO	M20x1,5	17	11,0	31,0	41,0	24,0	100

Codice Code	Versione Version	Filetto Thread	Dimensione guaina Conduit size NW	Dimensioni - Dimensions [mm]				Confezione Packaging [pz]
				g	D	A	B	
PM□LND-M257.100	ISO	M25x1,5	17	12,0	31,0	42,0	24,0	100
PM□LND-M253.50	ISO	M25x1,5	23	12,0	39,0	45,5	32,0	50
PM□LND-M323.50	ISO	M32x1,5	23	15,0	39,0	48,5	32,0	50
PM□LND-M329.30	ISO	M32x1,5	29	15,0	46,0	50,5	38,0	30
PM□LND-M409.30	ISO	M40x1,5	29	19,0	46,0	54,5	38,0	30
PM□LND-M406.20	ISO	M40x1,5	36	19,0	56,0	60,5	46,0	20
PM□LND-M506.20	ISO	M50x1,5	36	19,0	56,0	61,0	46,0	20
PM□LND-M508.10	ISO	M50x1,5	48	19,0	69,0	61,0	60,0	10
PM□LND-M638.10	ISO	M63x1,5	48	19,0	69,0	61,0	60,0	10
PM□LND-P070.100*	PG	7	10	7,0	21,5	44,0	16,0	100
PM□LND-P090.100	PG	9	10	11,0	21,5	34,0	16,0	100
PM□LND-P110.100	PG	11	10	8,0	21,5	45,5	16,0	100
PM□LND-P092.100*	PG	9	12	8,0	25,0	50,0	19,0	100
PM□LND-P112.100	PG	11	12	11,0	25,0	38,0	19,0	100
PM□LND-P132.100	PG	13,5	12	11,0	25,0	38,0	19,0	100
PM□LND-P137.100	PG	13,5	17	11,0	31,0	41,0	24,0	100
PM□LND-P167.100	PG	16	17	11,0	31,0	41,0	24,0	100
PM□LND-P213.50	PG	21	23	12,0	39,0	45,5	32,0	50
PM□LND-P299.30	PG	29	29	12,0	46,0	47,5	38,0	30
PM□LND-P366.20	PG	36	36	13,0	56,0	54,5	46,0	20
PM□LND-P488.10	PG	48	48	13,0	69,0	55,0	60,0	10

* Questi articoli includono un adattatore per filetto PG.

* These products are delivered including thread adapter.

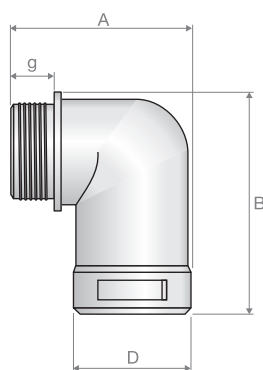
Raccordo maschio 45° - 45° male fitting



Codice Code	Versione Version	Filetto Thread	Dimensione guaina Conduit size NW	Dimensioni - Dimensions [mm]				Confezione Packaging [pz]
				g	D	A	B	
PM□LAD-M120.100	ISO	M12x1,5	10	11,0	21,5	42,5	33,0	100
PM□LAD-M160.100	ISO	M16x1,5	10	11,0	21,5	42,5	35,0	100
PM□LAD-M162.100	ISO	M16x1,5	12	11,0	25,0	47,5	39,5	100
PM□LAD-M202.100	ISO	M20x1,5	12	11,0	25,0	47,5	41,5	100
PM□LAD-M207.100	ISO	M20x1,5	17	11,0	31,0	54,0	46,0	100
PM□LAD-M257.100	ISO	M25x1,5	17	12,0	31,0	55,0	48,5	100
PM□LAD-M253.50	ISO	M25x1,5	23	12,0	39,0	63,5	55,5	50
PM□LAD-M323.50	ISO	M32x1,5	23	15,0	39,0	67,0	60,0	50
PM□LAD-M329.30	ISO	M32x1,5	29	15,0	46,0	72,5	63,5	30
PM□LAD-M409.30	ISO	M40x1,5	29	19,0	46,0	76,5	66,5	30

Codice Code	Versione Version	Filetto Thread	Dimensione guaina Conduit size NW	Dimensioni - Dimensions [mm]				Confezione Packaging [pz]
				g	D	A	B	
PM□LAD-M406.20	ISO	M40x1,5	36	19,0	56,0	87,5	78,0	20
PM□LAD-M506.20	ISO	M50x1,5	36	19,0	56,0	88,0	82,0	20
PM□LAD-M508.10	ISO	M50x1,5	48	19,0	68,0	97,5	88,0	10
PM□LAD-M638.10	ISO	M63x1,5	48	19,0	68,0	97,5	94,5	10
PM□LAD-P090.100	PG	9	10	11,0	21,5	42,5	34,0	100
PM□LAD-P112.100	PG	11	12	11,0	25,0	47,5	40,0	100
PM□LAD-P132.100	PG	13,5	12	11,0	25,0	47,5	41,5	100
PM□LAD-P137.100	PG	13,5	17	11,0	31,0	54,0	46,0	100
PM□LAD-P167.100	PG	16	17	11,0	31,0	54,0	47,0	100
PM□LAD-P213.50	PG	21	23	12,0	39,0	63,5	57,5	50
PM□LAD-P299.30	PG	29	29	12,0	46,0	69,5	65,0	30
PM□LAD-P366.20	PG	36	36	13,0	56,0	81,5	80,0	20
PM□LAD-P488.10	PG	48	48	13,0	68,0	91,5	93,0	10

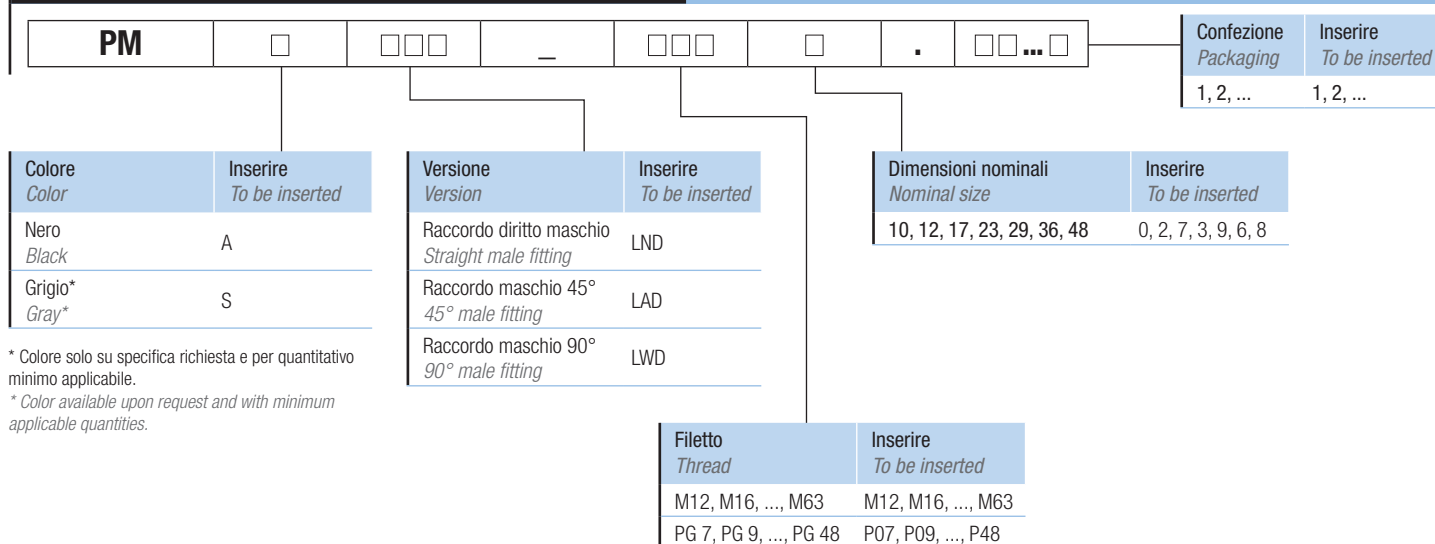
Raccordo maschio 90° - 90° male fitting



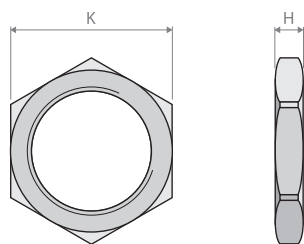
Codice Code	Versione Version	Filetto Thread	Dimensione guaina Conduit size NW	Dimensioni - Dimensions [mm]				Confezione Packaging [pz]
				g	D	A	B	
PM□LWD-M120.100	ISO	M12x1,5	10	11,0	21,5	32,5	36,5	100
PM□LWD-M160.100	ISO	M16x1,5	10	11,0	21,5	33,0	38,5	100
PM□LWD-M162.100	ISO	M16x1,5	12	11,0	25,0	37,5	43,0	100
PM□LWD-M202.100	ISO	M20x1,5	12	11,0	25,0	37,5	45,0	100
PM□LWD-M207.100	ISO	M20x1,5	17	11,0	31,0	42,0	50,5	100
PM□LWD-M257.100	ISO	M25x1,5	17	12,0	31,0	43,0	53,0	100
PM□LWD-M253.50	ISO	M25x1,5	23	12,0	39,0	52,5	59,0	50
PM□LWD-M323.50	ISO	M32x1,5	23	15,0	39,0	56,0	62,5	50
PM□LWD-M329.30	ISO	M32x1,5	29	15,0	46,0	62,5	69,0	30
PM□LWD-M409.30	ISO	M40x1,5	29	19,0	46,0	66,5	72,0	30
PM□LWD-M406.20	ISO	M40x1,5	36	19,0	56,0	76,0	83,0	20
PM□LWD-M506.20	ISO	M50x1,5	36	19,0	56,0	76,0	87,0	20
PM□LWD-M508.10	ISO	M50x1,5	48	19,0	68,0	89,0	92,5	10
PM□LWD-M638.10	ISO	M63x1,5	48	19,0	68,0	89,0	99,0	10
PM□LWD-P070.100	PG	7	10	7,0	21,5	42,0	37,5	100
PM□LWD-P090.100	PG	9	10	11,0	21,5	32,5	37,5	100
PM□LWD-P110.100	PG	11	10	8,0	21,5	44,0	40,0	100
PM□LWD-P130.100	PG	13,5	10	9,0	21,5	37,5	40,0	100

Codice Code	Versione Version	Filetto Thread	Dimensione guaina Conduit size NW	Dimensioni - Dimensions [mm]				Confezione Packaging [pz]
				g	D	A	B	
PM□LWD-P112.100	PG	11	12	11,0	25,0	36,5	43,5	100
PM□LWD-P092.100	PG	9	12	8,0	25,0	48,0	43,5	100
PM□LWD-P132.100	PG	13,5	12	11,0	25,0	36,5	45,0	100
PM□LWD-P137.100	PG	13,5	17	11,0	31,0	41,0	50,5	100
PM□LWD-P167.100	PG	16	17	11,0	31,0	41,0	51,5	100
PM□LWD-P213.50	PG	21	23	12,0	39,0	52,0	61,0	50
PMvLWD-P299.30	PG	29	29	12,0	46,0	58,5	70,5	30
PM□LWD-P366.20	PG	36	36	13,0	56,0	70,0	86,0	20
PM□LWD-P488.10	PG	48	48	13,0	68,0	83,0	97,5	10

Composizione del codice - Code composition



Ghiera esagonale - Lock nut



Codice Code	Versione Version	Filetto Thread	Dimensioni - Dimensions [mm]		Confezione Packaging [pz]
			K	H	
PM□MN-M12.100	ISO	M12x1,5	18	5,0	100
PM□MN-M16.100	ISO	M16x1,5	22	5,0	100
PM□MN-M20.100	ISO	M20x1,5	26	6,0	100
PM□MN-M25.100	ISO	M25x1,5	32	6,0	100
PM□MN-M32.100	ISO	M32x1,5	41	7,0	100
PM□MN-M40.50	ISO	M40x1,5	50	7,0	50
PM□MN-M50.50	ISO	M50x1,5	60	8,0	50
PM□MN-M63.50	ISO	M63x1,5	75	8,0	50
PM□MN-07.100	PG	7	19	5,0	100

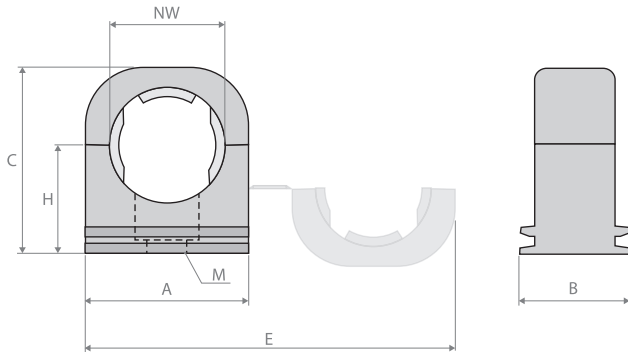
Codice Code	Versione Version	Filetto Thread	Dimensioni - Dimensions [mm]		Confezione Packaging [pz]
			K	H	
PM□MN-09.100	PG	9	22	5,0	100
PM□MN-11.100	PG	11	24	5,3	100
PM□MN-13.100	PG	13,5	27	6,3	100
PM□MN-16.100	PG	16	30	6,3	100
PM□MN-21.100	PG	21	36	7,0	100
PM□MN-29.50	PG	29	46	7,0	50
PM□MN-36.25	PG	36	60	8,0	25
PM□MN-48.25	PG	48	70	8,0	25

Composizione del codice - Code composition

PM	□	MN-	□□□	.	□□...□	Confezione Packaging	Inserire To be inserted
						1, 2, ...	1, 2, ...

Colore Color	Inserire To be inserted	Filetto Thread	Inserire To be inserted
Nero Black	B	M12, M16, ..., M63	M12, M16, ..., M63
Grigio Gray	G	PG 7, PG 9, ..., PG 48	07, 09, ..., 48

Fissaggi per guaine - Conduit supports



Codice Code	Dimensione nominale Nominal Size NW	Diametro nominale Nominal diameter DN [mm]	Dimensioni - Dimensions [mm]					Confezione Packaging [pz]	
			A	B	C	H	E		M
PM□FH-07-0.100	07	10	17,0	20,0	21,5	13,5	40,5	M4	100
PM□FH-10-0.100	10	12	20,5	20,0	24,5	15,5	47,5	M5	100
PM□FH-12-0.100	12	16	24,0	20,0	27,0	16,5	54,5	M5	100
PM□FH-17-0.100	17	20	30,0	20,0	34,0	20,0	68,0	M6	100
PM□FH-23-0.100	23	25	38,5	20,0	42,0	24,0	85,0	M6	100
PM□FH-29-0.100	29	32	45,5	20,0	48,0	27,0	99,0	M6	100
PM□FH-36-0.50	36	40	55,5	20,0	56,0	31,0	119,0	M6	50
PM□FH-48-0.50	48	50	67,5	20,0	68,0	37,0	143,0	M6	50

Composizione del codice - Code composition

PM	□	FH-	□□	-0	.	□□ ... □	Confezione <i>Packaging</i>	Inserire <i>To be inserted</i>
							1, 2, ...	1, 2, ...

Colore <i>Color</i>	Inserire <i>To be inserted</i>	Filetto <i>Thread</i>	Inserire <i>To be inserted</i>
Nero <i>Blac</i>	B	7, 10, 12, 17, 23, 29, 36, 48	07, 10, 12, 17, 23, 29, 36, 48
Grigio <i>Gray</i>	S		